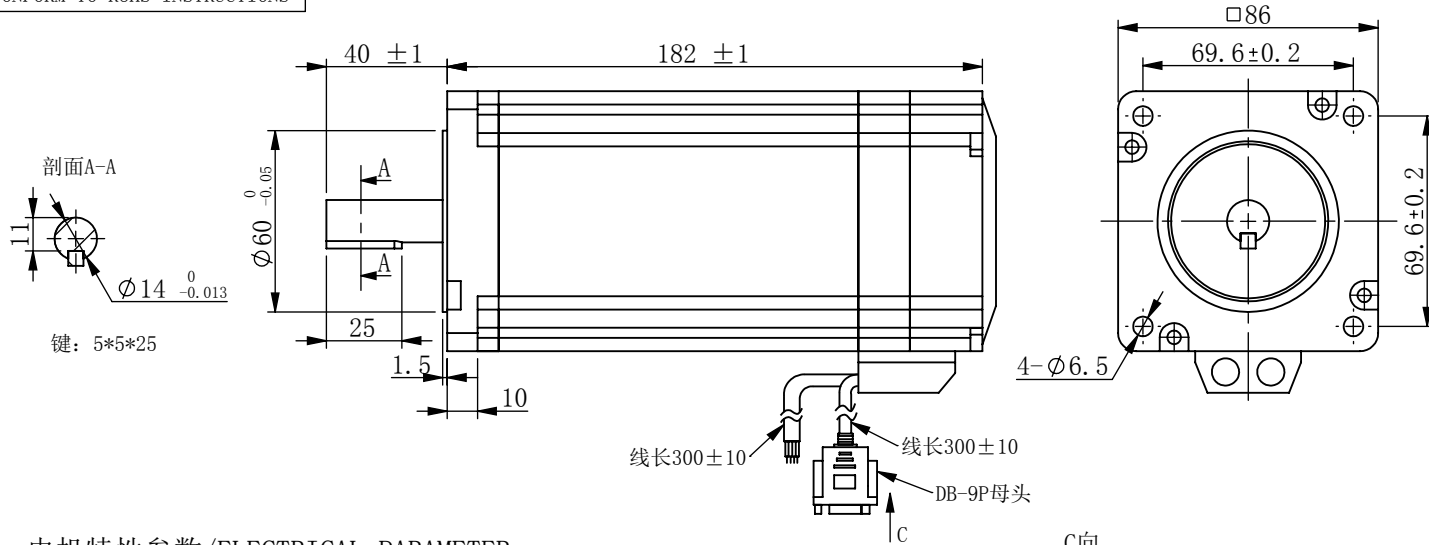
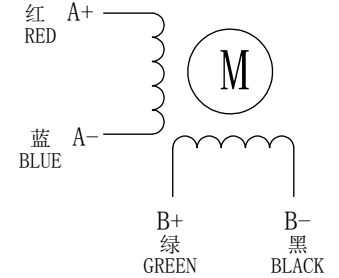


符合RoHS指令要求  
CONFORM TO RoHS INSTRUCTIONS

图号/DWG NO.  
86HSM155D-K1440-006

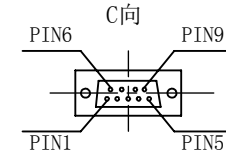


接线图/WIRING DIAGRAM



电机特性参数/ELECTRICAL PARAMETER

|   |   |
|---|---|
| 步距角/STEP ANGLE                            | 1.8° ± 5%                                     |
| 相数/NO. OF PHASES                          | 2   |
| 额定电压/RATED VOLTAGE                        | 10.32V  |
| 额定电流/RATED CURRENT                        | 6.0A  |
| 电阻/RESISTANCE                             | 1.72ohm ± 10% AT 25°C                         |
| 电感/INDUCTANCE                             | 8.3mH ± 20% AT 1kHz, 1Vrms                    |
| 保持力矩/HOLDING TORQUE                       | 12N.m   |
| 运行力矩/(AT —PPS)<br>RUNNING TORQUE(AT —PPS) | ——以上/MIN<br>(——V. DC, ——A/相(PHASE), ——相励磁/EX) |
| 绝缘耐压/DIELECTRIC STRENGTH                  | 500V A.C 1分钟/MINUTE                           |
| 绝缘电阻/INSULATION RESISTANCE                | 100MΩ 以上/MIN.                                 |
| 绝缘等级/INSULATION CLASS                     | CLASS B                                       |
| 温度上升/TEMPERATURE RISE                     | 80K MAX.                                      |
| 转子惯量/ROTOR INERTIA                        | 4000g.cm <sup>2</sup>                         |
| 重量/WEIGHT                                 | 约/APPROX. 5320克/g                             |
| 允许轴向负载/ALLOWABLE THRUST LOAD              | 10N   |
| 允许径向负载/ALLOWABLE RADIAL LOAD              | 100N(轴端/ON THE SHAFT END)                     |
| 运行环境温度/OPERATION AMBIENT TEMP.            | -20°C——+50°C                                  |
| 运行环境湿度/OPERATION AMBIENT HUM.             | 15%——90%                                      |
| 寿命/LIFE                                   | 5000小时/HOURS                                  |



| 序号 | 1   | 2   | 3  | 4   | 5   | 6  | 7  | 8  | 9   |
|----|-----|-----|----|-----|-----|----|----|----|-----|
| 定义 | EA+ | EA- | NC | EB+ | EB- | NC | NC | 5V | GND |
| 线色 | 棕   | 白   | \  | 绿   | 黄   | \  | \  | 红  | 蓝   |

励磁顺序(2相励磁)VS. 旋转方向  
EXCITING SEQUENCE (TWO PHASES)  
VS. DIRECTION OF ROTATION

| STEP | A+ | B+ | A- | B- |
|------|----|----|----|----|
| 1    | +  | +  | -  | -  |
| 2    | -  | +  | +  | -  |
| 3    | -  | -  | +  | +  |
| 4    | +  | -  | -  | +  |

CW (Clockwise) and CCW (Counter-clockwise) directions are indicated.

从安装面看为顺时针方向  
CLOCKWISE VIEW FROM MOUNTING SIDE

已受控

备注(NOTE):

- 额定电流, 两相同时通电/AT RATED CURRENT, TWO PHASES ON.
- 热阻法: 电机安装在84\*84\*T5的铝板上, 电机线圈两端通额定电压, OPPS /MEASURED BY RESISTANCE METHOD. MOUNT WITH ALUMINUM HEAT SINK 84\*84\*T5 AT TWO WINDING BE EXCITED BY RATED VOLTAGE, OPPS, 2PHASE ON.
- 寿命测试条件: 整步, 运行速度为500PPS, 轴承的表面温度不超过70° C LIFE TEST CONDITION: 2PHASE EXCITING, FULL STEP, AT 500PPS. STARTING PULSE, BEARING TEMPERATURE SHOULD BE 70° C MAX.

|  |          |             |             |                 |                   |          |         |                                  |     |
|--|----------|-------------|-------------|-----------------|-------------------|----------|---------|----------------------------------|-----|
| CONFIRMED&ACCEPTED BY COTUMER<br>(客户确认&接受) |          |             |             |                 |                   |          |         |                                  |     |
| COMPANY CHOP&SIGNATURE<br>(盖章&签名)          |          |             |             |                 |                   |          |         |                                  |     |
| 一般公差<br>TOLERANCE                          | ±0.3/±3° | 版本<br>REV.  | 年月日<br>DATE | 变更番号<br>ECR NO. | 变更内容<br>REVISIONS | 设计<br>BY | 备注 NOTE | REV.                             | A   |
| 设计/DESIGNED                                |          | 比例<br>SCALE |             | 型号/MODEL        |                   |          |         | 三维图<br>THIRD ANGLE<br>PROJECTION |     |
| 审核/CHECKED                                 |          | 单位<br>UNIT  | mm          | 86AM120ED       |                   |          |         |                                  |     |
| 深圳锐特机电技术有限公司                               |          |             |             |                 |                   |          |         | 页<br>SHEET                       | 1/1 |