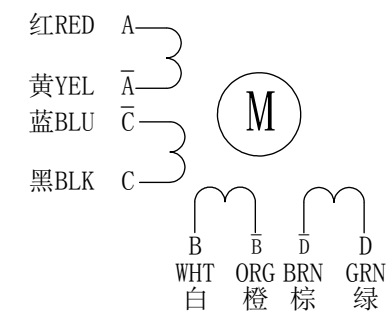


接线图/WIRING DIAGRAM



引线接法/Motor Line Connection

电机特性参数/ELECTRICAL PARAMETER

| | |
|---|---|
| 步距角/STEP ANGLE | 1.8° ± 5% |
| 相数/NO. OF PHASES | 2 |
| 额定电压/RATED VOLTAGE | 3.234V |
| 额定电流/RATED CURRENT | 4.2A |
| 电阻/RESISTANCE | 0.77ohm ± 10% AT 25°C |
| 电感/INDUCTANCE | 3.0mH ± 20% AT 1kHz, 1Vrms |
| 保持力矩/HOLDING TORQUE | 4.5N.m |
| 运行力矩/(AT —PPS) RUNNING TORQUE(AT —PPS) | ——以上/MIN (——V. DC, ——A/相(PHASE), ——相励磁/EX) |
| 绝缘耐压/DIELECTRIC STRENGTH | 500V A.C 1分钟/MINUTE |
| 绝缘电阻/INSULATION RESISTANCE | 100MΩ 以上/MIN. |
| 绝缘等级/INSULATION CLASS | CLASS B |
| 温度上升/TEMPERATURE RISE | 80K MAX. |
| 转子惯量/ROTOR INERTIA | 1400g.cm ² |
| 重量/WEIGHT | 约/APPROX. 2326克/g |
| 允许轴向负载/ALLOWABLE THRUST LOAD | 10N |
| 允许径向负载/ALLOWABLE RADIAL LOAD | 100N(轴端/ON THE SHAFT END) |
| 运行环境温度/OPERATION AMBIENT TEMP. | -20°C——+50°C |
| 运行环境湿度/OPERATION AMBIENT HUM. | 15%——90% |
| 寿命/LIFE | 5000小时/HOURS |

| 接法 | 驱动器接线 | 电机引线 | 适用场合 |
|----|------------|------------|------|
| 串联 | A+ | A | 低速 |
| | A- | C | |
| | B+ | B | |
| | B- | D | |
| | 悬空 | Ā C̄ (相连) | |
| 悬空 | B̄ D̄ (相连) | | |
| 并联 | A+ | A C̄ | 高速 |
| | A- | Ā C | |
| | B+ | B C̄ | |
| | B- | B̄ D | |

备注(NOTE):
 1. 额定电流, 两相同时通电/AT RATED CURRENT, TWO PHASES ON.
 2. 热阻法: 电机安装在84*84*T5的铝板上, 电机线圈两端通额定电压, OPPS /MEASURED BY RESISTANCE METHOD. MOUNT WITH ALUMINUM HEAT SINK 84*84*T5 AT TWO WINDING BE EXCITED BY RATED VOLTAGE, OPPS, 2PHASE ON.
 3. 寿命测试条件: 整步, 运行速度为500PPS, 轴承的表面温度不超过70° C LIFE TEST CONDITION: 2PHASE EXCITING, FULL STEP, AT 500PPS. STARTING PULSE, BEARING TEMPERATURE SHOULD BE 70° C MAX.

| | | | | | | | | | |
|--|----------|-------------|-------------|-----------------|-------------------|----------|------------|----------------------------------|---|
| CONFIRMED&ACCEPTED BY COTUMER (客户确认&接受) | | | | | | | | | |
| COMPANY CHOP&SIGNATURE (盖章&签名) | | | | | | | | | |
| 一般公差 TOLERANCE | ±0.3/±3° | 版本 REV. | 年月日 DATE | 变更番号 ECR NO. | 变更内容 REVISIONS | 设计 BY | 备注 NOTE | REV. | A |
| 设计/DESIGNED | | 比例 SCALE | | 型号/MODEL | | | | 三维图 THIRD ANGLE PROJECTION | |
| 审核/CHECKED | | 单位 UNIT | mm | 86A4 | | | | | |
| 深圳锐特机电技术有限公司 | | | | | | | 页 SHEET | 1/1 | |